

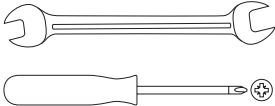
Vintage Searchlight Electric Heater

User Instructions

69551



Tools required (not included)



Technical Information

Power supply: 220 - 240V ~ 50Hz
Power rating: 900W/1200W/2100W
Ingress protection: IP54
Element type: Carbon Fibre
Life of lamp: Approximate maximum 5000 hours
Dimensions: H210 x D45cm
Net weight: 17.5kg



These instructions form part of this appliance. Please be sure to read them before use and keep for future reference. This product is for domestic use only and should not be used commercially or for contract purposes.

Produced in PRC for La Hacienda Ltd
Hangar 27, Site C, Aston Down Airfield, Nr Stroud, Glos, GL6 8HR, UK
www.lahacienda.co.uk

Care and safe use guidelines

IMPORTANT: This appliance incorporates an anti-tip cut-out switch so will only operate in its fully assembled, upright orientation.

SAFETY INFORMATION

- Product labels, warnings and rating plates affixed with adhesive or other permanent means must never be removed; doing so will invalidate the product's regulatory compliance and its warranty.
- The integral plug(s) of this appliance must not be cut off or modified for any purpose including: extending the cable length, wiring directly into an electrical spur, or modification of any type. Doing so may cause electrical safety or fire hazards and thereby invalidate the product warranty.
- Caution - some parts of this appliance can become very hot and cause burns. Particular attention must be given where children and vulnerable people are present.
- Do not use this heater in the immediate surroundings of a swimming pool, hot tub, pond or any vessel containing water.
- Children of less than 3 years should be kept away unless continuously supervised.
- Children aged from 3 years and less than 8 years shall only switch on/off the appliance after it has been placed or installed in its intended normal operating position. Additionally, they shall have been given supervision or instruction concerning use of the appliance in a safe way, and understand the hazards involved.
- Children aged from 3 years and less than 8 years shall not plug in, regulate and clean the appliance or perform user maintenance.
- Ensure any person operating the heater has the capability to do so without risking injury to themselves or others.
- Do not use this heater with a programmer, timer, separate remote-control system or any other device that switches the heater on automatically, since a fire risk exists if the heater is covered or positioned incorrectly.
- Do not move the unit when in use. Wait until the heater is completely cool before moving and check that it has been unplugged from the electrical socket.
- Never connect this appliance using a multi-way socket extender, plug expander or travel plug adaptor, etc.
- Never jolt or drop this appliance: doing so can cause glass heat bulb(s) to crack and fail violently.

POSITIONING THE APPLIANCE

- This appliance is designed and intended for outdoor use only.
- This appliance contains hot and arcing components inside. Do not use in areas where petrol, paint, explosive and/or flammable liquids are used or stored.
- This appliance must NOT be located:
 - immediately below an electrical socket outlet;
 - within close proximity (1m) of any combustible materials e.g. furniture, trees, leaves, dry grass and bushes, etc;
 - with the heating element facing upwards;
 - where the cable could cause a trip hazard.
- This appliance must be located:
 - with the heating element facing the users, for optimum benefit;
 - on a flat, level, surface, without rocking or instability; It incorporates an anti-tip cut-out switch and intermittent operation may occur if used on an unstable surface.
 - optionally, on a table-top if designed to do so.
- This appliance must be switched off and allowed to cool before moving, repositioning or changing the orientation.

ELECTRICAL EXTENSION LEADS

- If it is necessary to use an extension lead to connect this appliance, be sure that it meets the following specification:
 - Tested and manufactured to BS 1363-2, or equivalent national Standards for electrical plug/sockets
 - Rated at 13A, 240 Volts, 3kW or higher
 - IP rated to IP54 or higher
 - Single socket extender only
- To protect against electric shock, it is recommended to connect a Residual Current Device (RCD) between the extension cable's plug and the wall mains socket.
- Ensure that the extension lead is fully unwound from its cable tidy or reel, before connecting any heating appliance.
- Never connect more than one extension lead in line with a heating appliance.
- Never use an extension lead in wet conditions, in rain or whilst using a hose pipe.

MAINTENANCE & STORAGE

- Switch off then unplug this appliance before cleaning.
- Clean only with a soft damp cloth, and mild detergent if necessary; allow to dry naturally before re-connecting the mains plug. Do not use any abrasive substance or cloth for cleaning as this could damage the surface of the appliance.
- Avoid touching the heating element as finger marks will cause its premature failure. Any inadvertent finger marks should be wiped off using a soft cloth and methylated spirit or isopropyl alcohol.
- This appliance contains no user-replaceable parts. Seek the services of a certified electrician to replace the bulb/element if necessary.
- Do not leave this appliance outdoors overnight or when not in use. Store in a clean, dry environment free from moisture and above 0°C.

DISPOSAL



This symbol means that used electrical and electronic equipment (WEEE) should not be mixed with general household waste. For proper treatment, recovery and recycling, please take this product(s) to designated collection points where it will be accepted free of charge. Please contact your local authority for further details of your nearest designated collection point.

Parts List

1 (1x)



2 (2x)



3 (1x)



5 (1x)



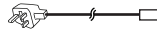
A (3x)



B (3x)

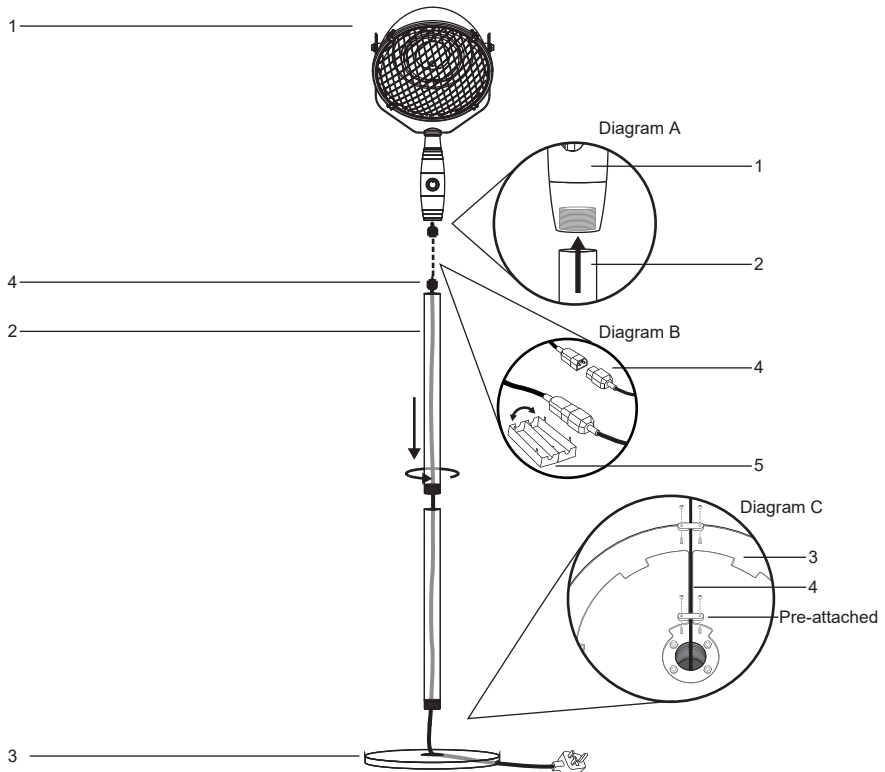


4 (1x)



Prior to assembly, read the instructions carefully. Check all parts against this parts list. Carry out assembly on a soft surface to avoid scratching the paint. Please retain this information for future reference.

Assembly Diagrams



Operating the Appliance

- Ensure the unit is plugged into the correct power supply.
- To activate the 'I' heat setting (900W) turn the switch one 'click' clockwise.
- To activate the 'II' heat setting (1200W) turn the switch another 'click' clockwise.
- To activate the 'III' heat setting (2100W) turn the switch one more 'click' to the right.
- To turn the unit off turn the dial back anti-clockwise to the '0' position.

Assembly Instructions

IMPORTANT! - Remove any packaging before use, but retain the safety instructions and store them with this product.

- STEP 1 - Screw one of the poles (2) to the base (3) securely.
- STEP 2 - Feed the power cable (4); female plug first, up through the hole in the base (3) and the attached pole (2) and pull through approximately 2m of cable (4).
- STEP 3 - Pull the power cable (4) through the remaining pole (2). Connect the remaining pole (2) to the attached pole (2) by screwing them together in a clockwise direction.
- STEP 4 - Connect the plug on the heater head (1) to the power cable plug (4) and secure with cable connector (5). Please refer to assembly diagram.
- STEP 5 - Feed the cable connector (5) down into the inside of the now attached poles (2).
- STEP 6 - Place the top of the pole (2) into neck of heater head (1) and screw clockwise on internal thread, please refer to diagram A.
- STEP 7 - Fix the power cable (4) to the base (3) using 2x pre-attached plastic fittings. Unscrew the plastic fittings and lay the power cable (4) in the groove on the under side of the base (3) and secure with the plastic fittings.

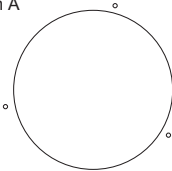
The product is now ready to use but please ensure you have read these instructions thoroughly prior to use.

Ground Fixing

IMPORTANT! - Remove any packaging before use, but retain the safety instructions and store them with this product.

- STEP 1 - Place the product in the desired location (concrete surface recommended) in accordance with the care and use guide lines. Mark 3 points on the ground around the heater as per diagram A. Remove the product to proceed to the drilling step.

Diagram A



- STEP 2 - Using an appropriate drill and drill bit (concrete drill). Drill a hole on each point as marked from step one (Expansion bolt is 6mm in diameter).
- STEP 3 - Insert the anchor fixings (B) into the drilled holes, then place the product back into position and place fixing clips (A) onto the base of the heater, aligned with the anchor fixing (B).
- STEP 4 - Screw down each bolt using a spanner to secure in place. The product is now ready to use but please ensure you have read these instructions thoroughly prior to use.

Diagram B

